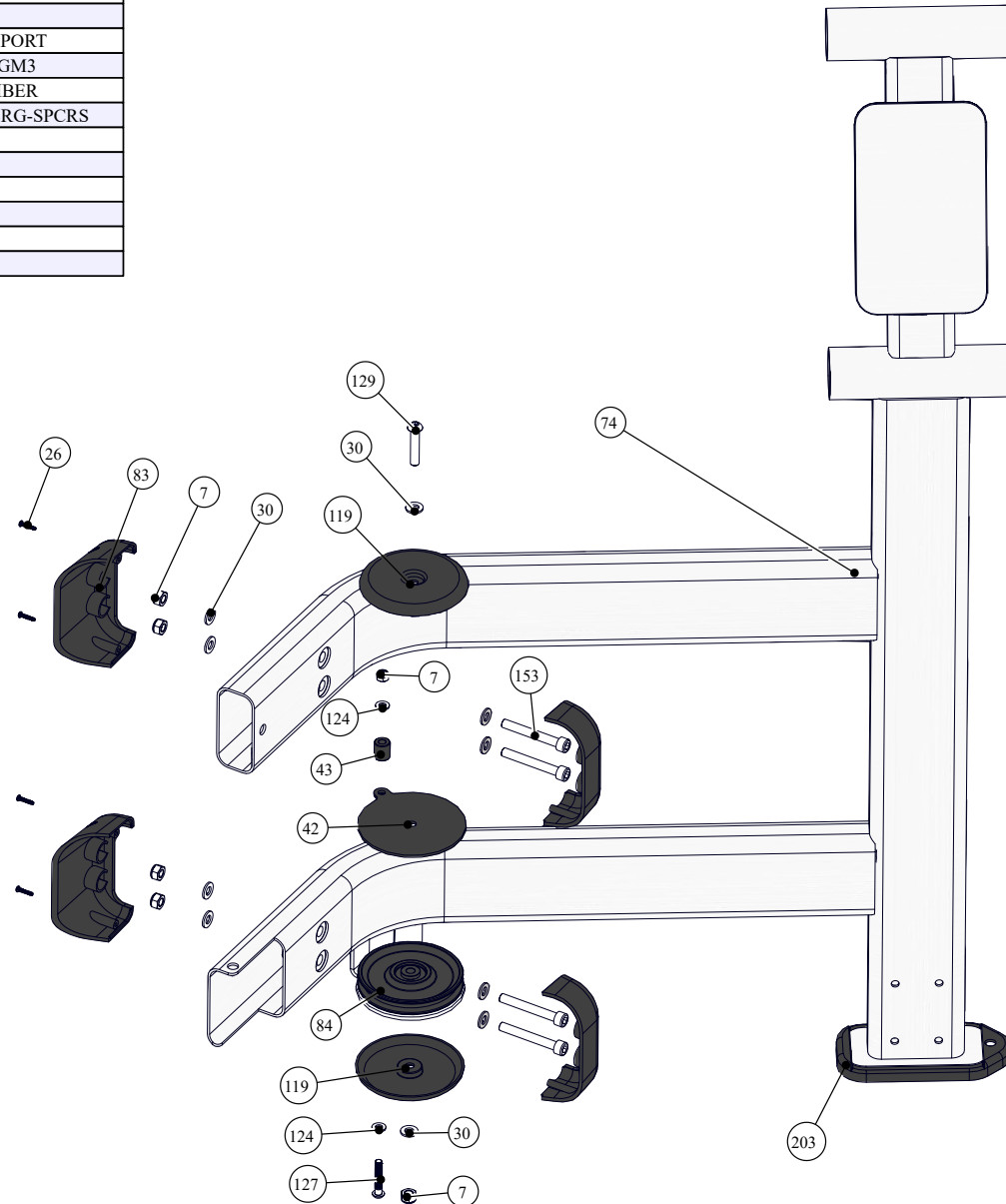
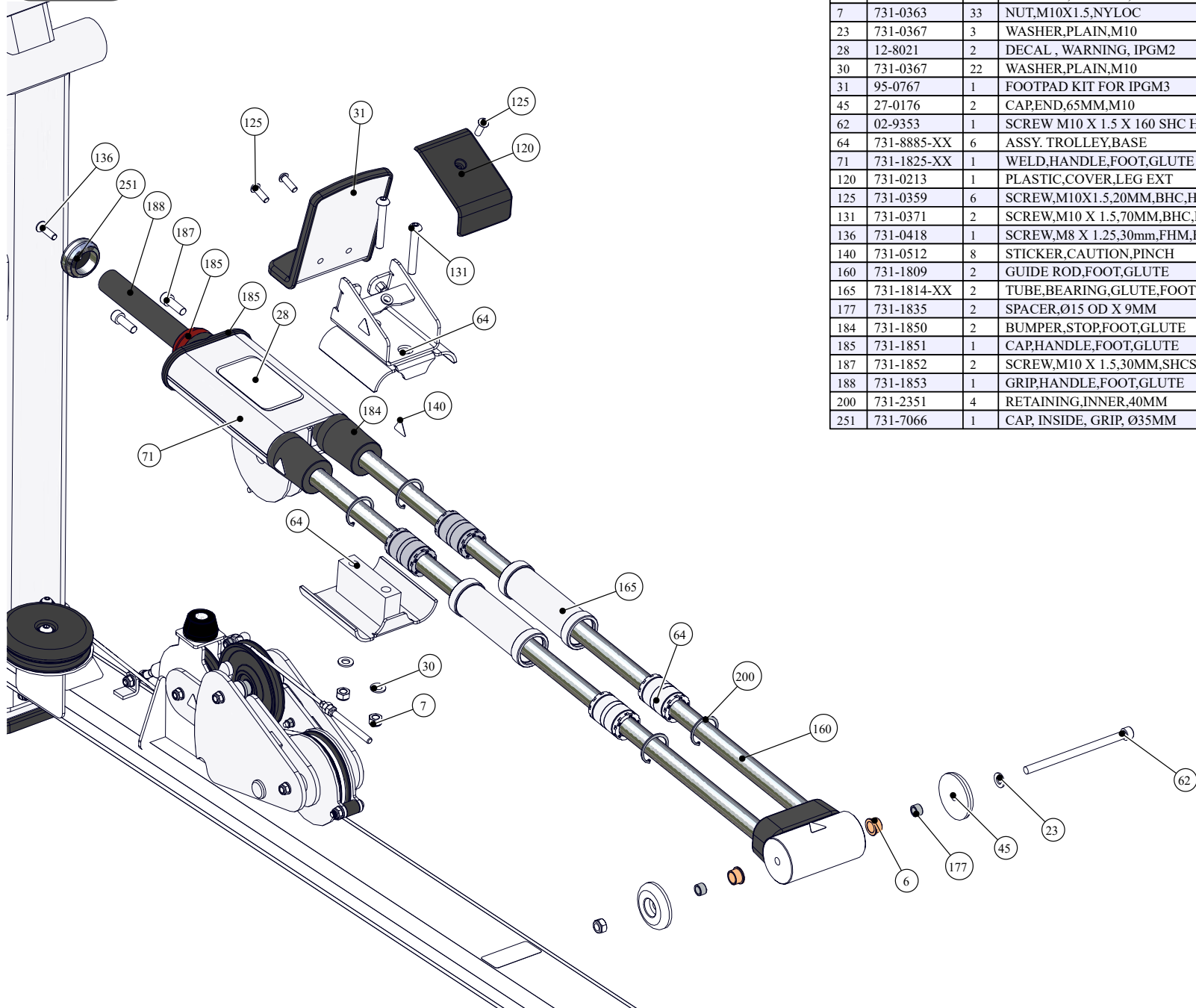




#	Part No.	Qty	Description
7	731-0363	14	NUT,M10X1.5,NYLOC
26	110-3402	4	SCREW, #8-18, 3/4", HI-LOW, PHT, PH, CS, BO
30	731-0367	18	WASHER,PLAIN,M10
42	27-0035	2	Cover, Pulley, Flat Steel
43	27-0036	4	SPACER, PULLEY BRACKET, HUMAN SPORT
74	66-2024-XX	1	CROSSMEMBER FRAME ASSEMBLY IPGM3
83	731-6772	2	COVER, MOLDED, TOWER CROSSMEMBER
84	09-8342	5	PULLEY LRGE CBLE Ø120mm X17mm BRG-SPCRS
119	731-0165	2	CAP,PLASTIC,PULLEY,Ø120mm
124	731-0355	18	WASHER,PLAIN,M8
127	731-0364	1	SCREW, M8X1.25, 45mm, BHC, HK
129	731-0366	1	SCREW,M10 X 1.5,50MM,BHC,HK
153	731-1043	4	SCREW, M10X1.5, 75MM, SHC, HK, ZP
203	731-2647	1	FOOT, LONG, LEVERAGE

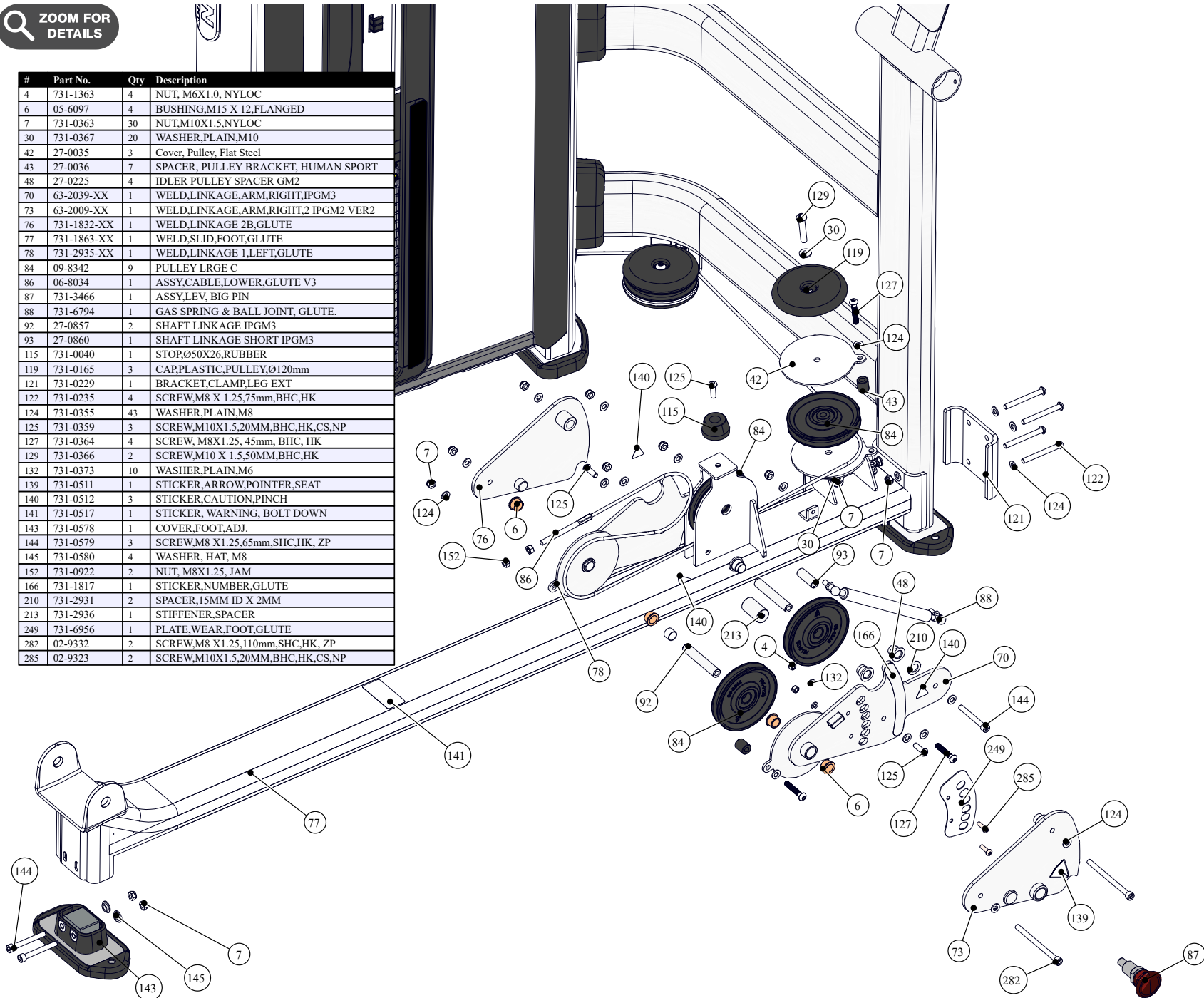




#	Part No.	Qty	Description
6	05-6097	6	BUSHING,M15 X 12,FLANGED
7	731-0363	33	NUT,M10X1.5,NYLOC
23	731-0367	3	WASHER,PLAIN,M10
28	12-8021	2	DECAL , WARNING, IPGM2
30	731-0367	22	WASHER,PLAIN,M10
31	95-0767	1	FOOTPAD KIT FOR IPGM3
45	27-0176	2	CAP,END,65MM,M10
62	02-9353	1	SCREW M10 X 1.5 X 160 SHC HK AS, ZP
64	731-8885-XX	6	ASSY. TROLLEY,BASE
71	731-1825-XX	1	WELD,HANDLE,FOOT,GLUTE
120	731-0213	1	PLASTIC,COVER,LEG EXT
125	731-0359	6	SCREW,M10X1.5,20MM,BHC,HK,CS,NP
131	731-0371	2	SCREW,M10 X 1.5,70MM,BHC,HK, ZP
136	731-0418	1	SCREW,M8 X 1.25,30mm,FHM,HK,CS, ZP
140	731-0512	8	STICKER,CAUTION,PINCH
160	731-1809	2	GUIDE ROD,FOOT,GLUTE
165	731-1814-XX	2	TUBE,BEARING,GLUTE,FOOT
177	731-1835	2	SPACER,Ø15 OD X 9MM
184	731-1850	2	BUMPER,STOP,FOOT,GLUTE
185	731-1851	1	CAP,HANDLE,FOOT,GLUTE
187	731-1852	2	SCREW,M10 X 1.5,30MM,SHCS,HK,ZP
188	731-1853	1	GRIPHANDLE,FOOT,GLUTE
200	731-2351	4	RETAINING,INNER,40MM
251	731-7066	1	CAP, INSIDE, GRIP, Ø35MM

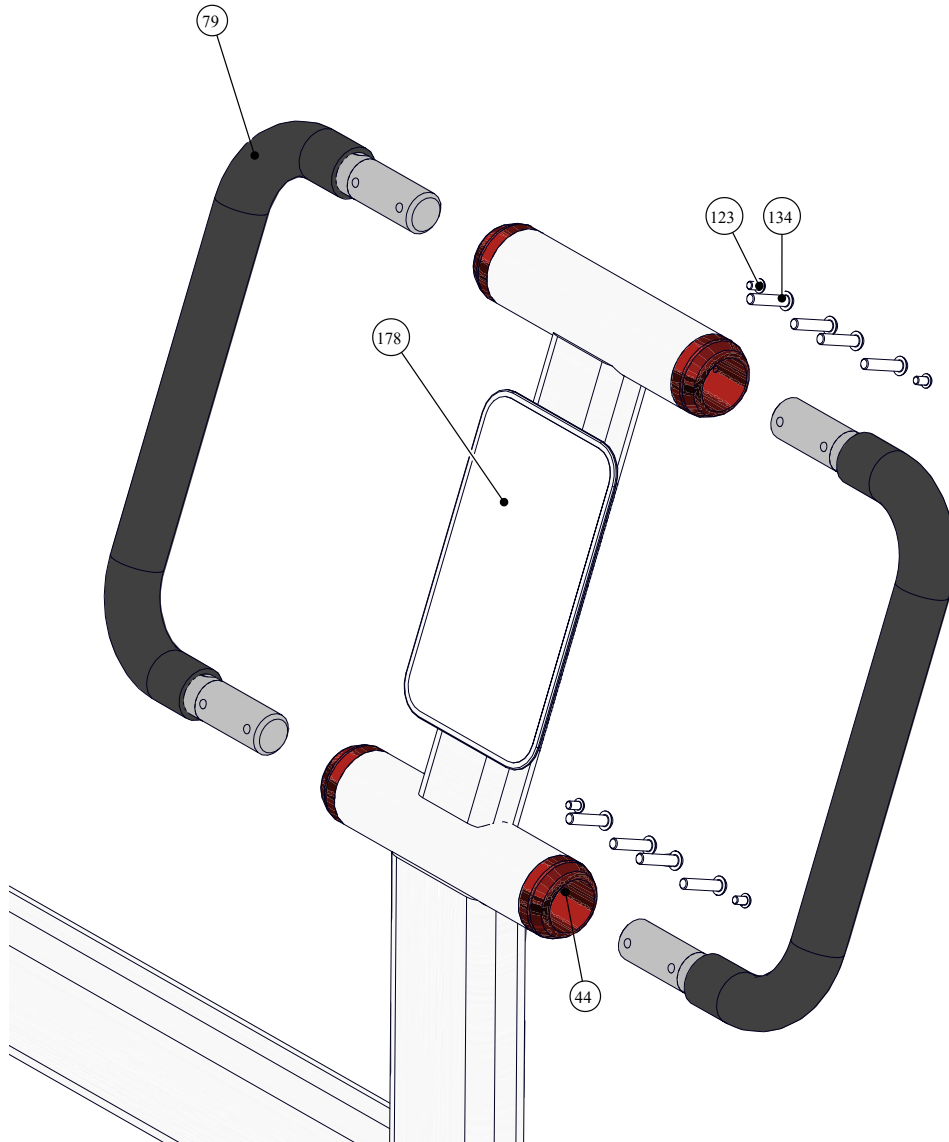


#	Part No.	Qty	Description
4	731-1363	4	NUT, M6X1.0, NYLOC
6	05-6097	4	BUSHING, M15 X 12, FLANGED
7	731-0363	30	NUT, M10X1.5, NYLOC
30	731-0367	20	WASHER, PLAIN, M10
42	27-0035	3	Cover, Pulley, Flat Steel
43	27-0036	7	SPACER, PULLEY BRACKET, HUMAN SPORT
48	27-0225	4	IDLER PULLEY SPACER GM2
70	63-2039-XX	1	WELD, LINKAGE, ARM, RIGHT, IPGM3
73	63-2009-XX	1	WELD, LINKAGE, ARM, RIGHT, 2 IPGM2 VER2
76	731-1832-XX	1	WELD, LINKAGE 2B, GLUTE
77	731-1863-XX	1	WELD, SLID, FOOT, GLUTE
78	731-2935-XX	1	WELD, LINKAGE 1, LEFT, GLUTE
84	09-8342	9	PULLEY LRGE C
86	06-8034	1	ASSY, CABLE, LOWER, GLUTE V3
87	731-3466	1	ASSY, LEV, BIG PIN
88	731-6794	1	GAS SPRING & BALL JOINT, GLUTE.
92	27-0857	2	SHAFT LINKAGE IPGM3
93	27-0860	1	SHAFT LINKAGE SHORT IPGM3
115	731-0040	1	STOP, Ø50X26, RUBBER
119	731-0165	3	CAP, PLASTIC, PULLEY, Ø120mm
121	731-0229	1	BRACKET, CLAMP, LEG EXT
122	731-0235	4	SCREW, M8 X 1.25, 75mm, BHC, HK
124	731-0355	43	WASHER, PLAIN, M8
125	731-0359	3	SCREW, M10X1.5, 20MM, BHC, HK, CS, NP
127	731-0364	4	SCREW, M8X1.25, 45mm, BHC, HK
129	731-0366	2	SCREW, M10 X 1.5, 50MM, BHC, HK
132	731-0373	10	WASHER, PLAIN, M6
139	731-0511	1	STICKER, ARROW, POINTER, SEAT
140	731-0512	3	STICKER, CAUTION, PINCH
141	731-0517	1	STICKER, WARNING, BOLT DOWN
143	731-0578	1	COVER, FOOT, ADJ.
144	731-0579	3	SCREW, M8 X 1.25, 65mm, SHC, HK, ZP
145	731-0580	4	WASHER, HAT, M8
152	731-0922	2	NUT, M8X1.25, JAM
166	731-1817	1	STICKER, NUMBER, GLUTE
210	731-2931	2	SPACER, 15MM ID X 2MM
213	731-2936	1	STIFFENER, SPACER
249	731-6956	1	PLATE, WEAR, FOOT, GLUTE
282	02-9332	2	SCREW, M8 X 1.25, 110mm, SHC, HK, ZP
285	02-9323	2	SCREW, M10X1.5, 20MM, BHC, HK, CS, NP



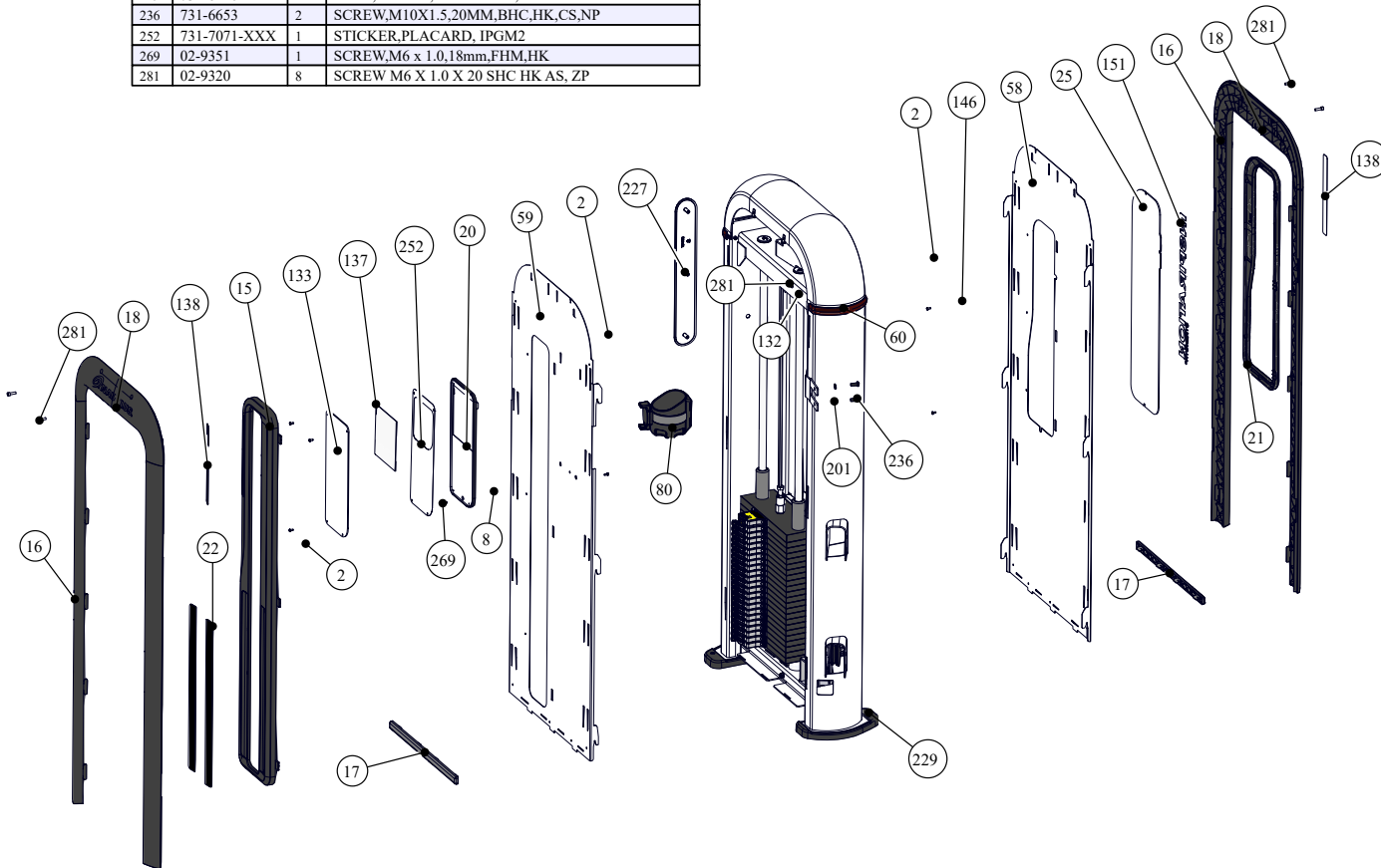


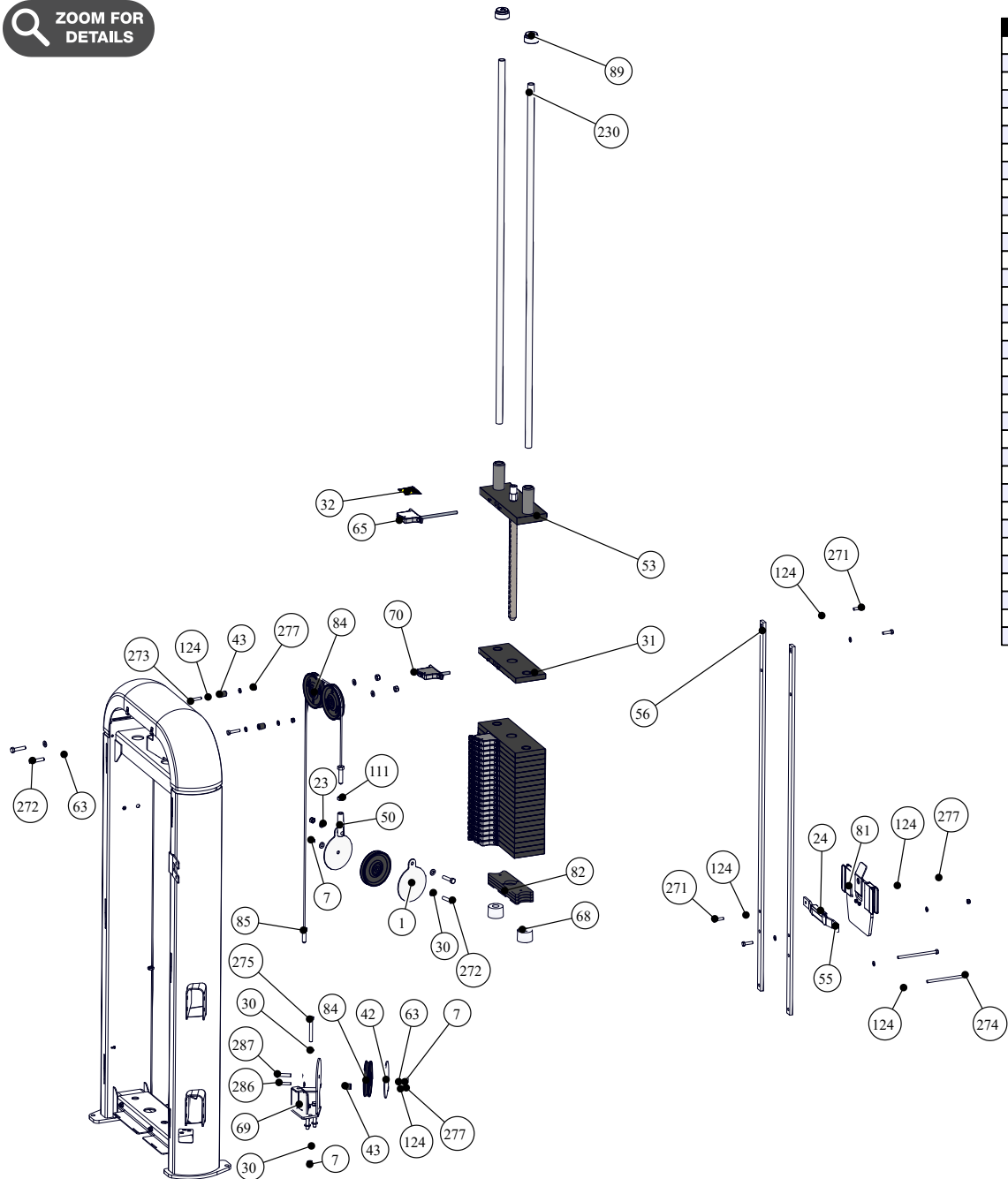
#	Part No.	Qty	Description
44	27-0165	4	BASE,HANDLE GRIP,ARMS,41MM,V2
79	731-1848-XX-KT	2	KIT, WELD,HANDLEBAR,GLUTE PRESS
123	731-0352	4	SCREW,M6X0.8,10MM,BHC,HK, ZP
134	731-0389	8	SCREW,M8 X 1.25,35mm,BHC,HK
178	731-1841	1	STICKER,GLUTE PRESS,HOW TO





#	Part No.	Qty	Description
2	02-1001	10	SCREW, M4.0 x 10L,PHT,PH,CS,ZP
8	731-1957	1	NUT,M5,NYLOCK
15	09-8351	1	PLASTIC, SHROUD, WT. STACK ACCESS
16	09-8352	4	PLASTIC, SHROUD, SIDE TRIM
17	09-8353	2	PLASTIC,SHROUD,BASE TRIM, NARROW TOWER
18	09-8354	2	PLASTIC,SHROUD,TOP TRIM,NARROW TOWER
20	09-8357	1	PLACARD, HOUSING BASE
21	09-8358	1	WINDOW TRIM HOUSING SHORT
22	12-8084	2	DECAL, WT STACK 20-240, IP3
25	09-9705	1	WINDOW,SHROUD, TEXTURED PC
58	27-0326-XX	1	SHROUD,STEEL,OUTSIDE,NARROW
59	27-0327-XX	1	SHROUD, STEEL INSIDE NARROW
60	27-0353	2	TRIM,BEAUTY RING,TOWER,IP3
80	731-6659	1	ASSY,WATER/PHONE,HOLDER
132	731-0373	8	WASHER,PLAIN,M6
133	731-0386	1	PLACARD, HOUSING, INNER
137	731-0482	1	STICKER,LENTICULAR, IPGM2
138	731-0500	2	STICKER,NAME,GLUTE PRESS
146	731-0585	1	WASHER,M4
151	731-0827	1	STICKER,IN ST,REVERSE
201	731-2421	2	WASHER,PLAIN,M8,NARROW,BZ
227	731-6385	1	BADGE,TOWER,PRODUCT NAME
229	731-6440	2	FOOT,TOWER,STANDARD,BOOT
236	731-6653	2	SCREW,M10X1.5,20MM,BHC,HK,CS,NP
252	731-7071-XXX	1	STICKER,PLACARD, IPGM2
269	02-9351	1	SCREW,M6 x 1.0,18mm,FHM,HK
281	02-9320	8	SCREW M6 X 1.0 X 20 SHC HK AS, ZP





#	Part No.	Qty	Description
1	27-0253-XX	2	PLATE,PULLEY,FLOATING, Ø120mm
7	731-0363	8	NUT,M10X1.5,NYLOC
23	731-0367	2	WASHER,PLAIN,M10
24	09-9704	1	STOP CHANNEL ,AOW
30	731-0367	8	WASHER,PLAIN,M10
31	17-4260	22	ASSEM, WT PLT, BOTTOM, IPNEW, 10LB
32	12-8085	1	DECAL, SWITCH ADD-ON-WEIGHT, 5 LBS/2.3KGS
42	27-0035	1	Cover, Pulley, Flat Steel
43	27-0036	3	SPACER, PULLEY BRACKET, HUMAN SPORT
50	27-0247	1	CABLE ADJUSTER, 3/4" DIA, 1/2-13
53	17-4250	1	ASSEM, Top Plate, IPNEW, 240lb
55	27-0299	1	STOP, INCREMENTAL WEIGHT
56	27-0300	2	GUIDE ROD-AOW
63	731-0367	6	WASHER,PLAIN,M10
65	17-4252	1	SWITCH, LnL, ADD-ON, IPNEW, TOP PLATE
68	27-0498	2	STOP,BUMPER,52mm DIA x 35 mm
69	731-6800-XX	1	WELD,PULLEY MOUNT,ONE FIXED
70	17-4262	22	ASSEM, SWITCH LnL, BOTTOM PLATE, IPNEW
81	95-0771	1	WEIGHT 5lb, ADD ON
82	731-5439	1	STOP,WEIGHT STACK
84	09-8342	4	PULLEY LRGE CBLE Ø120mm X17mm BRG-SPCRS
85	06-8023	1	ASSY,CABLE,WT STACK, (OPT-WT-45, 240 lb)
89	27-0525	2	CAP,GUIDE ROD
111	03-9070	1	1/2" Hex Jam Nut Thin
124	731-0355	16	WASHER,PLAIN,M8,REGULAR
230	731-6445	2	GUIDE ROD, Ø22MM X 1305MM
271	01-9329	4	SCREW,M10X1.5,35MM,HHC,HE,CS,BZ
272	01-9317	4	SCREW,M10X1.5,35MM,HHC,HE,CS,BZ
273	01-9316	2	SCREW,M10X1.5,35MM,HHC,HE,CS,BZ
274	02-9350	2	SCREW,M10X1.5,35MM,HHC,HE,CS,BZ
275	01-9326	3	SCREW,M10X1.5,35MM,HHC,HE,CS,BZ
277	731-0365	7	NUT,M8 X 1.25,NYLOC JAM
286	731-0368	1	SCREW,M10X1.5,20MM,BHC,HK,CS,NP
287	731-0362	1	SCREW,M10X1.5,20MM,BHC,HK,CS,NP